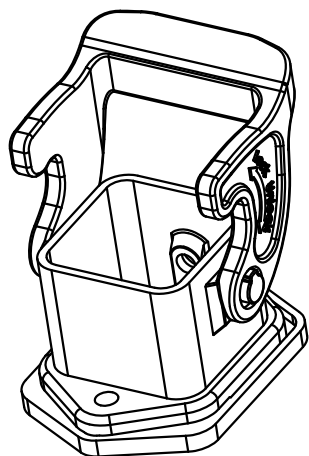
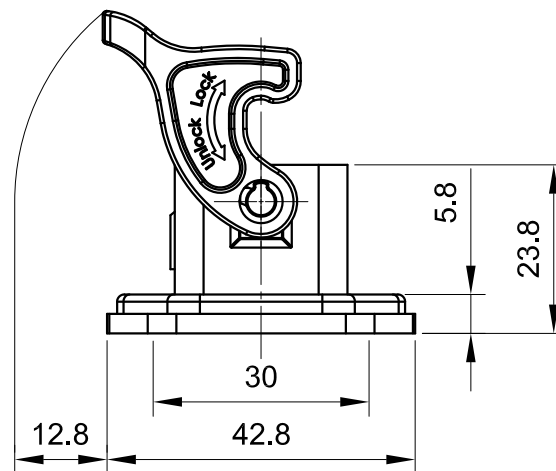
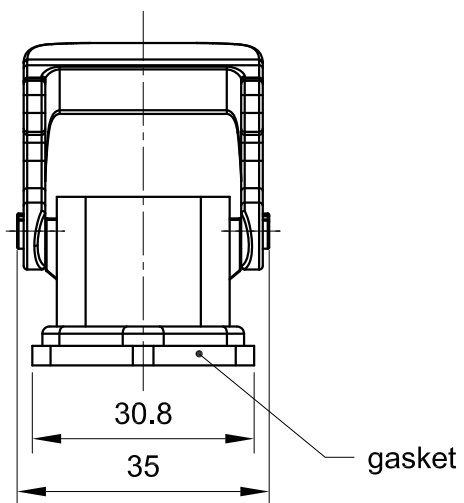
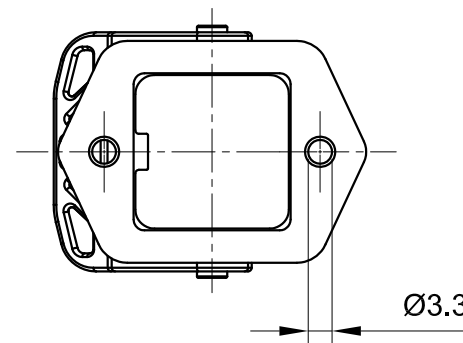
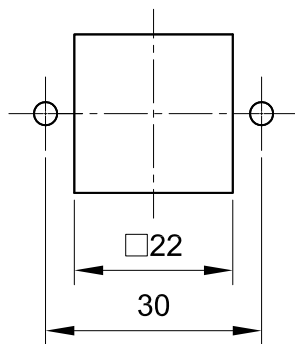



panel cut out



 InKonn (Suzhou) Electric Technology Co.,Ltd.	All Dimensions in mm Original Size DIN A4	Date 2019-11-18	Drawing No. TC6358617	Rev. A00	Scale 1:1
	Part No. 10 07 003 0510	Created by Shuxu Huang	Checked by Yiyi Luo	Page 1/1	
Type Name HPA3-BM-SL					